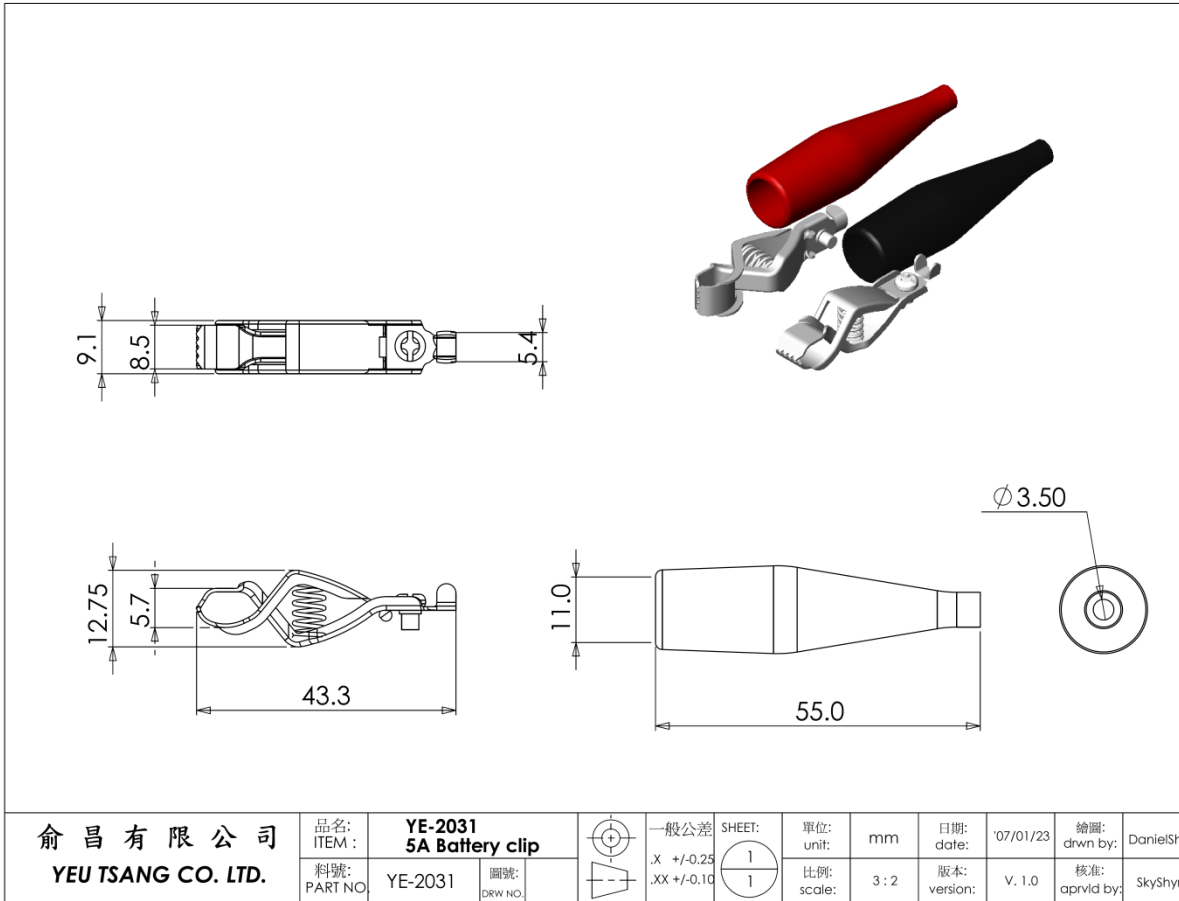


YE-2031 5A BATTERY CLIP



MATERIALS :

1. MAIN BODY :
STEEL NICKEL PTD.
2. SHELL COVER :
PVC
3. SPRING:
STEEL NICKEL PLATED

俞昌有限公司 YEU TSANG CO. LTD.	品名: ITEM :	YE-2031 5A Battery clip		一般公差 X +/0.25 .XX +/0.10	SHEET:	1 1	單位: unit:	mm	日期: date:	'07/01/23	繪圖: drwn by:	DanielShyr
	料號: PART NO.	YE-2031	圖號: DRW NO.		比例: scale:		3 : 2	版本: version:	V. 1.0	核准: aprvd by:	SkyShyr	